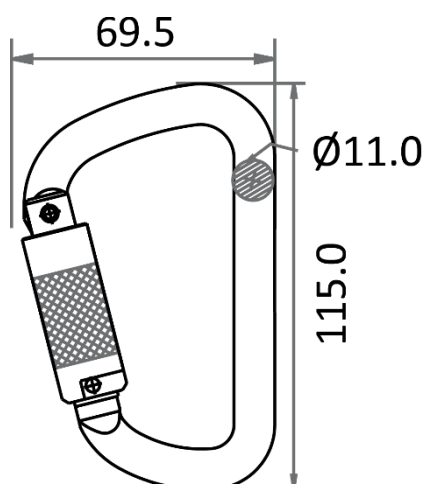
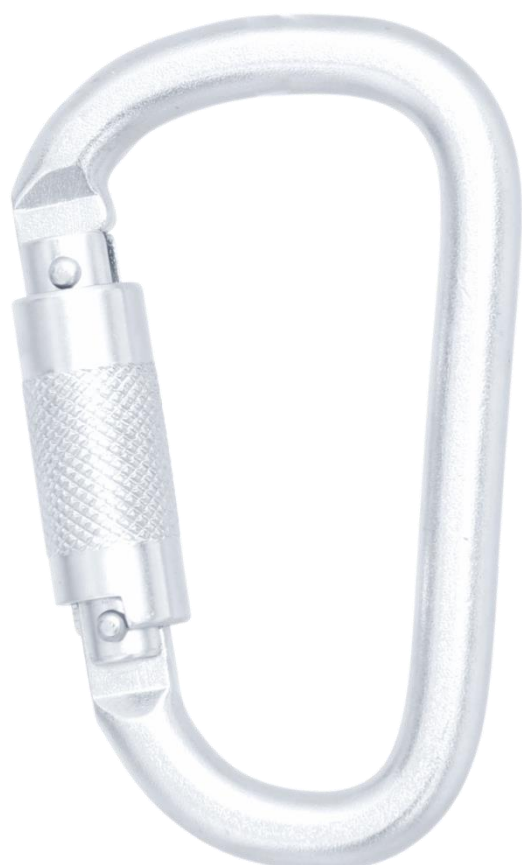




FA 50 106 22



REF.	FA 50 106 22
CE	EN 362:2004 Class B
	25 kN / 22 mm
MAT.	INOX
	QUARTER
KEYLOCK	---
+	---
	0.23 KG



MAT.



Résistance à la rupture / Ouverture

Breaking strength / Gate opening

Resistencia a la ruptura / Apertura

Resistenza alla rottura / Apertura

Bruchfestigkeit / Öffnung

Matière

Material

Material

Materia

Material

Type d'ouverture

Opening system

Tipo de apertura

Sistema di apertura

Öffnungssystem

HS CODE
73269098
CARTON SIZE / PCS.
38x28x23/100
AET (EU) N°2777/10769-02/E02-01
Satra Technology Europe Ltd., N° 2777, Bracetown Business Park, Clonee, Dublin, D15YN2P, Ireland
MODULE D FI14/14003.01
SGS Fimko Oy, N°0598 Takomotie 8, 00380 HELSINKI, Finland
AET (UKCA) N°AB0321/16052-01/E01-01
Satra Technology Centre, N°0321 Wyndham Way, Telford Way, Kettering Northamptonshire, NN16 8SD, United Kingdom
MODULE D 11 IN14/14003
SGS United Kingdom Ltd., N°0120 Unit 202B, Worle Parkway, Weston-super-Mare, BS22 6WA, United Kingdom